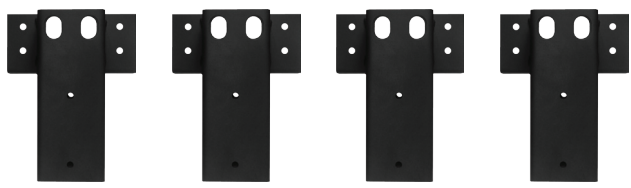
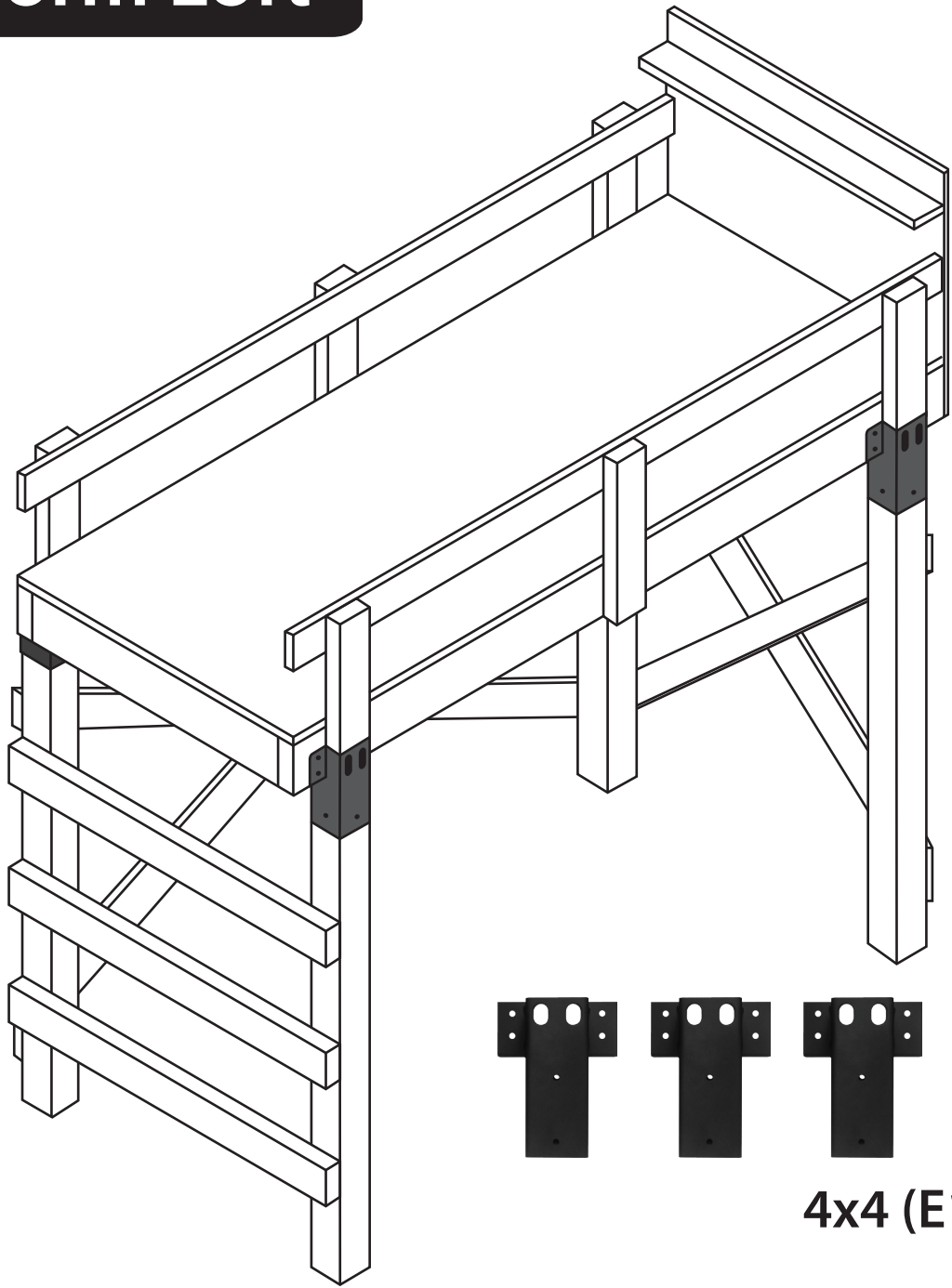


# Dorm Loft



4x4 (E100) Straight Elevators, set of 4.

## Materials List

- Clock Shelf**  
1 - 1x4, 37" long
- Head Board**  
1 - 4x8 sheet of plywood, 30" x 37"
- Side Rails**  
2 - 1x4's, 8' long then cut to size  
6 - 2x4's, 8' long then cut to size
- Legs**  
4 - 4x4's, up to six feet tall  
add an additional step of over 5'
- Frame**  
4 - 2x4's, 34"  
2 - 2x6's, 24"  
2 - 2x6's, 80"
- Steps**  
3 or 4 - 2x4's, 41"
- Hardware**  
8 - 2x4' joist hangers  
3 - shelf brackets  
2 - 90 degree corner brackets  
2lb boc of 2 1/2" screws  
2lb box of 3" screws  
16 - 3 x 5/16" lag bolts  
12 - 1 1/2 x 5/16" lag bolts  
28 - Flat 5/16" washers

