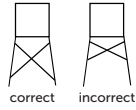


### Step Five (Leg Bracing)

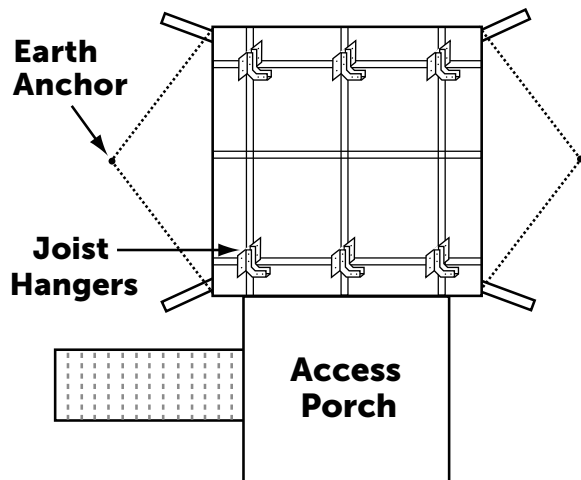
- 5.1- Screw 2x4 cross members to the outside of the two outside legs on each side.
- 5.2- Screw 2x4 cross members to the inside of the top and bottom legs. (See diagram)
- 5.3- Slowly lift up blind standing it up right on the legs.



**INSTALL CROSS MEMBERS BEFORE ELEVATING.**

### Step Six (Ground Anchor Recommended)

- 6.1- Install screw eyes to the inside hole on all four Elevators as shown.
- 6.2- Secure one end of cable to a screw eye then thread the cable through the turnbuckle and secure to the opposing screw eye.
- 6.3- Screw Auger anchors in place at an angle three feet from the two opposing sides of the blind at the same angle as the legs.
- 6.4- Tighten the turnbuckle to the auger and repeat on the other side for a secure blind.



## Optional Access Porch:

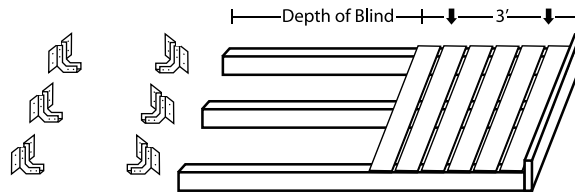
### Materials for Access Porch:

- (3) 8'-Treated 2x4's
- (4) 8'-1x6 Deck boards
- (6) 2x6 Joist hangers
- (1 Box) 1 1/4" Pan head wood screws
  - For treated wood
- (1 Box) 1/4" x 2 1/2" Pan head wood screws
  - For treated wood

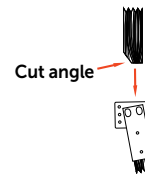
### Access Porch Instructions

- 7.1- Cut three 2x4's to the depth of the blind plus 3'.
- 7.2- Cut seven 3' pieces of 1x6 deck boards.
- 7.3- Screw one deck board section into the 2x4's to create an end cap.
- 7.4- Attach the deck boards with a 1/2" gap.
- 7.5- Fasten the joists to the 2x4 sections.
- 7.6- Fasten the complete deck to the bottom of the blind. (Return to step 5.1)

**(Review the online video for instructions.)**



To add a post to the top of your Elevators cut one corner off a 2x4. Insert directly into the top of Elevator Bracket and adjust board until at desired angle.



## IMPORTANT

**NEVER CLIMB LADDER INTO OR OUT OF A BLIND WITH A LOADED GUN.**



Summit Outdoors, LLC  
9202 Yeager Lane  
Fort Wayne, IN 46809  
Toll Free 1-888-446-4868  
www.elevatorsllc.com



## Installation Instructions Elevator Brackets



For use with  
**4x4 Posts**

- Multi-angled leg mounting for maximum stability
- The easiest way to elevate your outdoor platform
- Uses 4x4 posts for legs

Heavy-Duty High Strength Steel | Welded Construction | Powder Coated Finish

4 BRACKETS



Review instructional video  
online before starting at:  
[shadowhunterblinds.com](http://shadowhunterblinds.com)

# Bill of Materials Needed:

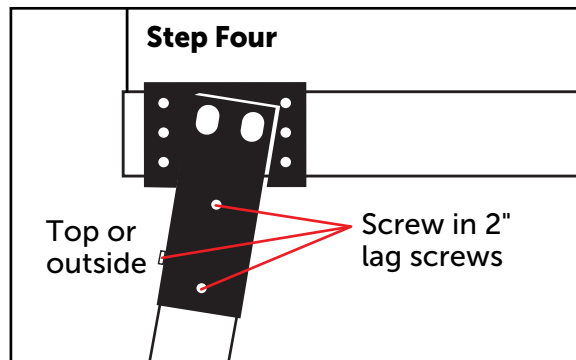
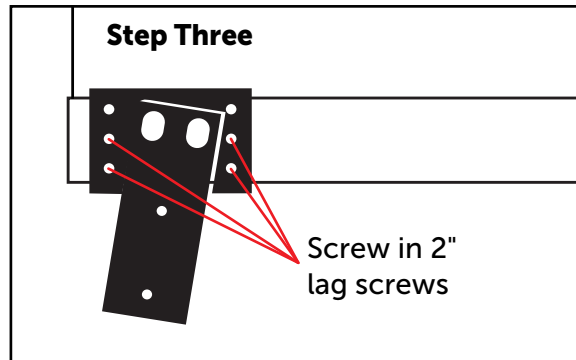
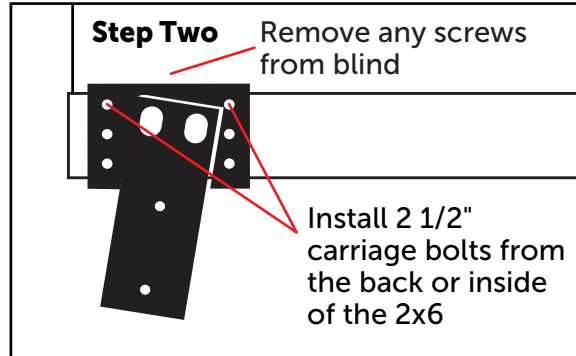
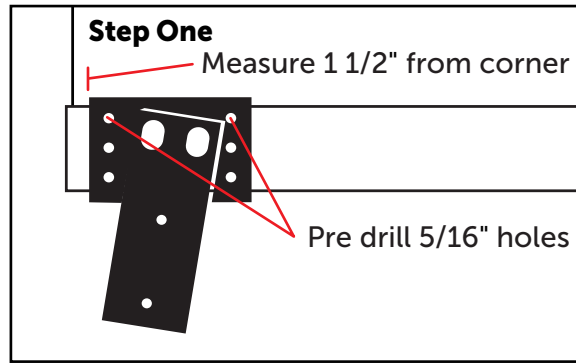
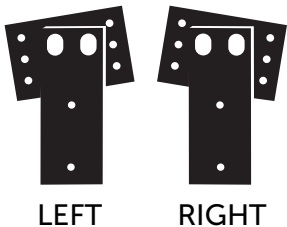
- (8) 5/16" x 2 1/2" Carriage Bolts - galvanized
- (8) 5/16" Hex nut - galvanized
- (8) 5/16" Flat washer - galvanized
- (24) 5/16" x 2" Lag screws - galvanized
- One box 3" Deck screws - coated
- (4) 4x4 Posts 4'-10' Treated ground contact
- (8) 1x4 Treated deck boards cross braces
  - See chart for length
- (4) 5/16" x 3" or 4" Screw eye
- (2) 3/8" x 10.5" Forged hook/eye turnbuckle
- (4) 3/16" Wire Rope clip
- (2) 3" x 30" Earth anchors
- 5/16" 6-Strand galvanized cable wire
  - See chart for length

LEG LENGTH	CABLE WIRE	CROSS BRACE LENGTH
4' LEGS	26'	6'
6' LEGS	30'	8'
8' LEGS	38'	10'
10' LEGS	50'	12'

1,000 lb. Weight Capacity

## What You Need:

- Hammer
- Hand saw cross cut
- Socket wrench
- 5/16" deep well socket or driver bit to fit Lag and carriage bolts
- Cordless drill
- 5/16" drill bit
- Phillips screw driver
- Shovel (to level legs)



## Step One (Install Elevator brackets)

- 1.1- Lay the shadow hunter blind on its back door side up. Prop the bottom front of the blind up on a block. Carefull not to scratch or bend the aluminum.
- 1.2- Measure 1 1/2" from each corner and make a line. Use the Elevator to mark and pre-drill 5/16" pilot holes to avoid splitting the frame member. (Repeat all 4 sides)

## Step Two

- 2.1- Remove any screws from the blind that would keep the Elevator plate from sitting flush.
- 2.2- Install the 2 1/2" carriage bolts in the top two holes from the back or inside of the 2x6. Hit with a hammer to lock the bolt into place. Add washers and tighten nuts. (Do not over tighten)

## Step Three

- 3.1- Finish securing the brackets with 2" lag screws in the bottom four holes to finish mounting the brackets to the blind.

## Step Four

- 4.1- Insert the 4x4 legs into the Elevators.
- 4.2- Hold the legs in place for the optimum angle when tightening lag screws.
- 4.3- Secure the legs with 2" lag screws in the front two holes and the outside hole.
- 4.4- Optional Access porch should be installed at this time skip to 7.1 if you decide to add the access porch.